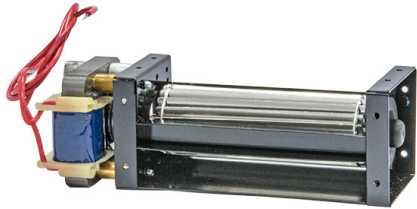
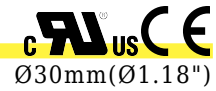


AFS 30



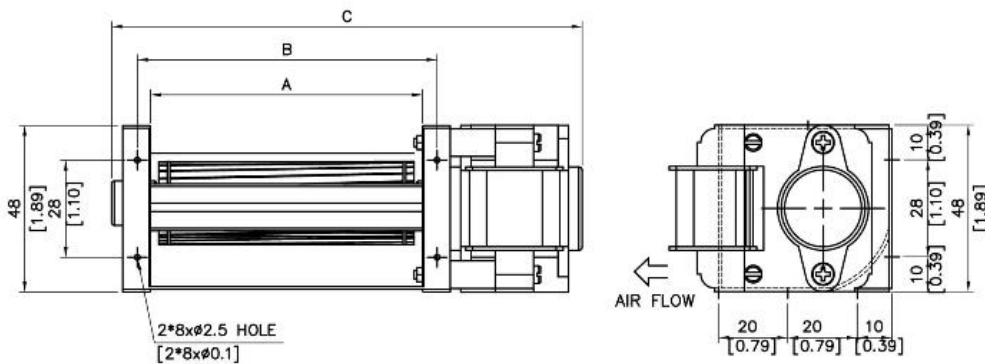
HOUSING	Metal/Aluminum
IMPELLER	Aluminum, Ø30mm
BEARING	Ball or Sleeve
INSULATION	Class A
OPERATING TEMPERATURE	0°C to + 45°C
OPERATING VOLTAGE RANGE	85 VAC to 125 VAC for 115V Type 185 VAC to 245 VAC for 230V Type
DIELECTRIC STRENGTH	1,500 VAC for 1 second
INSULATION RESISTANCE	10M Ω min. @500 VDC
SAFETY	Impedance Protected
MOTOR TYPE	Shaded Pole Motor
ROHS COMPLIANCE	Yes
IP LEVEL	IP21 (Special IP Rating On Request)

30 mm

SPECIFICATION

MODEL NO.	RATED VOLTAGE(V)	RATED CURRENT(A)	INPUT POWER(W)	SPEED (RPM)	MAX. AIR PRESSURE		MAX. AIR FLOW		NOISE dB(A) @1M
					inchH2O	mmH2O	CFM	m3/min	
AFS30098V1H	120	0.11/0.09	8/7	2500/2900	0.03/0.04	0.8/1.1	14/17	0.4/0.5	21/24
AFS30098V2H	230	0.07/0.05	8/7	2500/2900	0.03/0.04	0.8/1.1	14/17	0.4/0.5	21/24
AFS30160V1H	120	0.14/0.12	9/8	2700/3100	0.04/0.05	0.9/1.2	24/28	0.7/0.8	27/30
AFS30160V2H	230	0.09/0.07	10/9	2700/3100	0.04/0.05	0.9/1.2	24/28	0.7/0.8	27/30
AFS30198V1H	120	0.14/0.12	9/8	2700/3100	0.04/0.05	1.0/1.3	32/35	0.9/1.0	27/30
AFS30198V2H	230	0.09/0.07	11/9	2700/3100	0.04/0.05	1.0/1.3	32/35	0.9/1.0	27/30
AFS30300V1H	120	0.20/0.17	15/13	2700/3100	0.06/0.07	1.4/1.7	53/60	1.5/1.7	32/34
AFS30300V2H	230	0.09/0.07	12/11	2700/3100	0.06/0.07	1.4/1.7	53/60	1.5/1.7	32/34

DIMENSION



MODEL NO.	DIMENSION(mm)			WEIGHT (g)
	A	B	C	
AFS30098	98	108	154	390
AFS30160	160	170	222	520
AFS30198	198	208	260	540
AFS30300	300	310	366	670

UNIT: mm[inch]

AIR PERFORMANCE

