

MP3 Voice Annunciator Horn

EHV



- CE
(DC Type)
 - RoHS
10
 - UL
(Excluding M3)
 - FCC
(Excluding M3)
 - KC
(Excluding M3)
 - IP65
 - Indoor/
Outdoor
Use
 - Upright/
Sideways/
Inverted
Mounting
 - Ambient
Temperature
-20°C~+50°C
- 110dB
 - 63
Alarm
Sounds
 - Playback
Length
220
seconds
 - bit / binary
8 / 63
Inputs

*MP3 is 105dB

Note: Sound reduction feature can be specified at the time of order or by using Patlite's Playlist Editor 2.

Model Number Configuration

EHV-M1HF

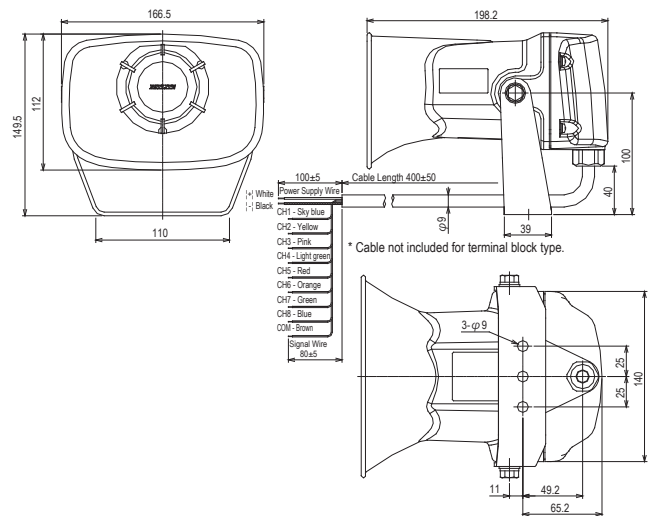
- 1
- 2
- 3

- ① Rated Voltage
M1 = 12 - 24V DC
M2 = 100 - 240V AC
M3 = 12 - 48V DC
(mountable in vehicle)
- ② Wiring Method
H = Cable
T = Terminal Block
- ③ Alarm Type*
F = Type F
G = Type G

Note: M3 Specifications
H: Cable type only

* Please refer to the Sound Selection Chart on page 84 for alarm details.

Dimensions (mm)



Product List

Model Number	Rated Voltage	Wiring Method	Alarm Type	Pre-recorded Message	Power Consumption	Mass
EHV-M1H <input type="checkbox"/>	12 - 24V DC	Cable	F/G	None	8.0W	1.25kg
EHV-M1T <input type="checkbox"/>	12 - 24V DC	Terminal Block	F/G	None	8.0W	1.25kg
EHV-M2H <input type="checkbox"/>	100~240V AC	Cable	F/G	None	7.9W	1.25kg
EHV-M2T <input type="checkbox"/>	100~240V AC	Terminal Block	F/G	None	7.9W	1.25kg
EHV-M1H <input type="checkbox"/> M	12 - 24V DC	Cable	F/G	Yes	8.0W	1.25kg
EHV-M1T <input type="checkbox"/> M	12 - 24V DC	Terminal Block	F/G	Yes	8.0W	1.25kg
EHV-M2H <input type="checkbox"/> M	100~240V AC	Cable	F/G	Yes	7.9W	1.25kg
EHV-M2T <input type="checkbox"/> M	100~240V AC	Terminal Block	F/G	Yes	7.9W	1.25kg
EHV-M3H <input type="checkbox"/>	12-48V DC	Cable	F/G	None	6.1W	1.25kg
EHV-M3H <input type="checkbox"/> M	12-48V DC	Cable	F/G	Yes	6.1W	1.25kg

Other Specifications

Supported Transistors (NPN / PNP)	M1: NPN/PNP, M2/M3: NPN
Volume Control	Rotating knob or by program (-10 dB, -20 dB, -30 dB)
Sound File Format	MP3 data (Bit rate: 32 kbps, 64 kbps, 128 kbps/Sample rate: 44.1kHz)

Optional Parts

For details refer to P. 93 to P. 98

Product Description	Model Number
SD card (2GB)	SDV-2GP